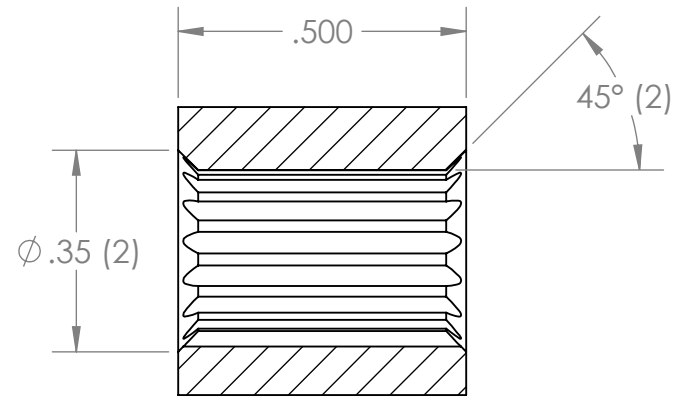
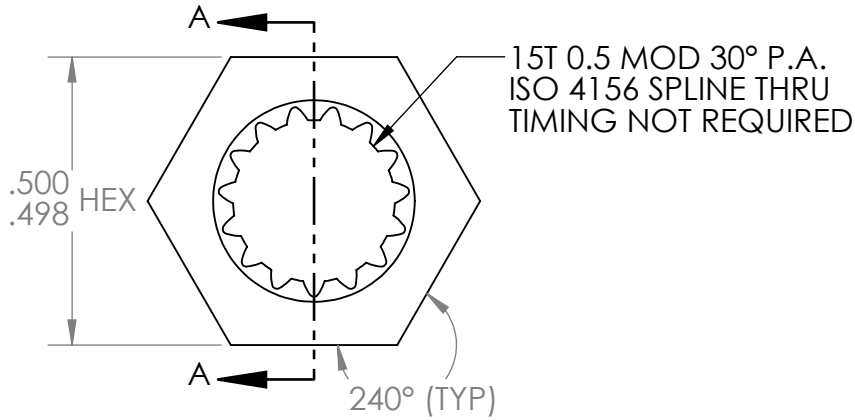
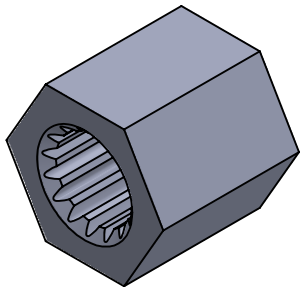



REVISION HISTORY			
REV.	DESCRIPTION	DATE	DRAWN BY
1	ORIGINAL PRINT	6/9/2025	A. GUPTA



SECTION A-A

*** SEE CAD FOR ADDITIONAL TOOLPATH INFO***



UNLESS OTHERWISE SPECIFIED:		COMMENTS:			
DIMENSIONS ARE IN INCHES		DUAL DIMENSIONS ARE IN MILLIMETERS.			
TOLERANCES:		BREAK ALL SHARP EDGES		TITLE:	
FRACTIONAL	±1/16			KRAKEN SPLINE 500	
ANGULAR: MACH	±1°			HEX ADAPTER SHORT	
ANGULAR: BEND	±5°			SIZE	
ONE PLACE DECIMAL	±0.1			DWG. NO.	
TWO PLACE DECIMAL	±0.01			A am-5687_short	
THREE PLACE DECIMAL	±0.005			REV	
FOUR PLACE DECIMAL	±0.0005			1	
MATERIAL	4140 STEEL	CHECKED	NAME	DATE	SCALE: 3:1
FINISH	DEBURRED	ENG APPR.	PY	8/13/25	WEIGHT:
	ZINC PLATED	MFG APPR.			SHEET 1 OF 1
DO NOT SCALE DRAWING		Q.A.			